

# Wideband Directional Coupler

Data Sheet



2.0 - 8.0 GHz

MINI-LINE™



## MDC2066 Series



**MDC2066 Series** couplers feature reliable Stripline construction using multi-section designs which provides power sampling up to 50 watts CW in miniature coaxial packages that have proven performance and reliability under extreme environmental conditions. Couplers exhibit excellent performance and may be used in a wide variety of applications including military, commercial, broadcast, medical, aerospace and wireless. All couplers are manufactured in the USA.

### NOTES:

**Material:** Aluminum Alloy, 6061-T651

**FINISH:** Blue Powder Coat as per MIL-PRF-24712A

**MARKING:** Permanent Black Epoxy Ink per MIL-I-43553A

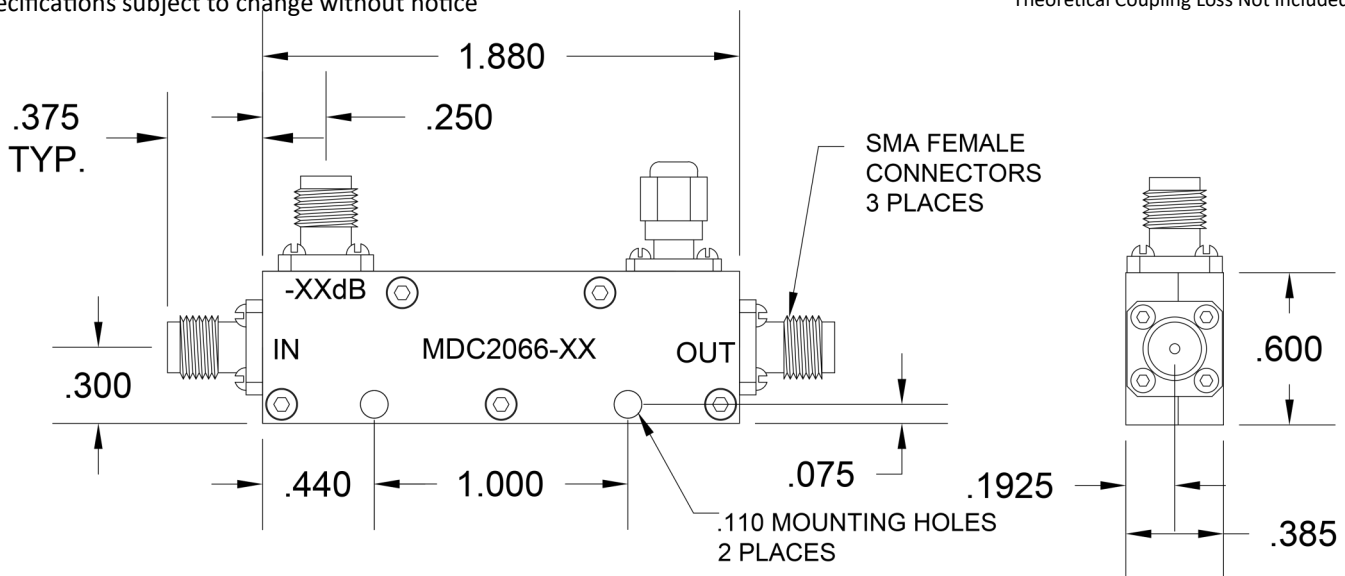
**OPERATING TEMPERATURE:** -55°C to +85°C

**CONNECTORS:** SMA Female, SS, Passivated per MIL-C-39012

Model Number	*Coupling (dB)	Frequency Sensitivity (dB)	Ins. Loss (dB max.)		Directivity (dB min.)	VSWR (max.)		Power (Watts max.)		
			Excluding Coupled Power	True		Primary Line	Coupled Port	Average Incident	Average Reflected	Peak
MDC2066-6	6 ± 1.00	± 0.30	0.50	2.20	20	1.25	1.25	50	2	3k
MDC2066-10	10 ± 1.00	± 0.30	0.35	1.00	20	1.25	1.25	50	5	3k
MDC2066-20	20 ± 1.00	± 0.40	0.40	0.45	20	1.25	1.25	50	50	3k
MDC2066-30	30 ± 1.00	± 0.50	0.40	0.45	20	1.25	1.25	50	50	3k

Specifications subject to change without notice

\* Theoretical Coupling Loss Not Included



[www.preferredpowerproducts.com](http://www.preferredpowerproducts.com)

Tel: 1-772-291-2549 | [sales@preferredpowerproducts.net](mailto:sales@preferredpowerproducts.net)

STUART, FL 34997